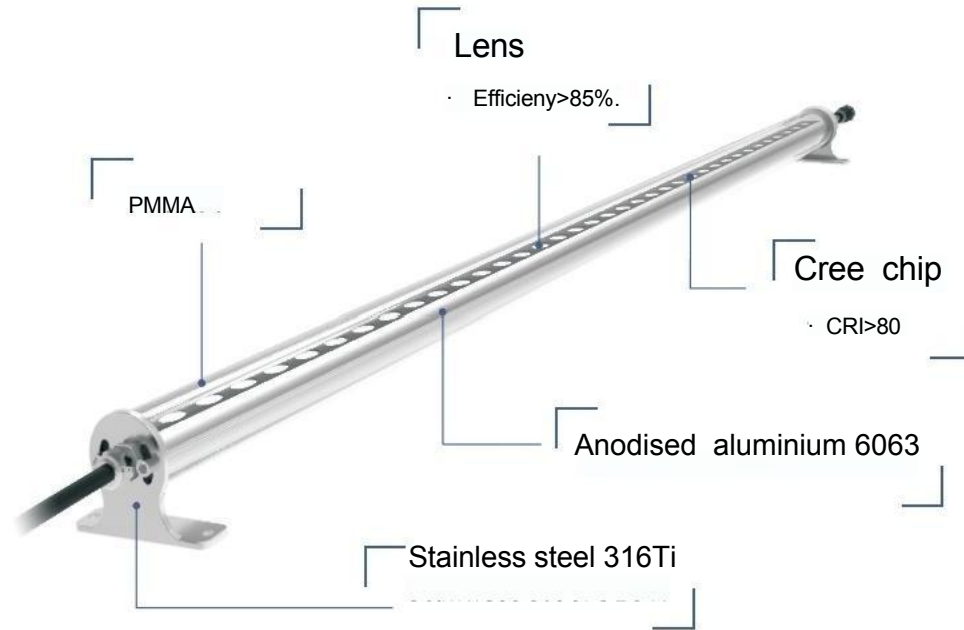


DESCRIPTION

- Protection class IP 68
- Entirely mad of stainless steel 316Ti and PMMA
- Round PMMA cover, height 5mm
- Power-LED cold white, warm white, neutral white,RGB,RGBW
- Low-Power-LED cold white, warm white, neutral white,RGB,RGBW
- Operating mode: constant current or constant voltage
- Rotationally symmetric light distribution
- 500mm and 1000mm versions available(to be ordered separately according to project needs!)



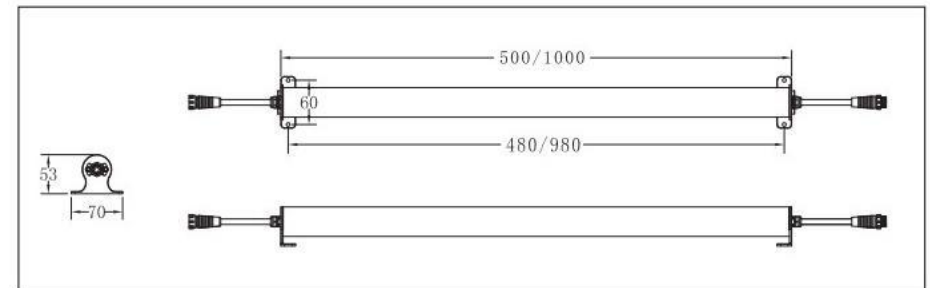
For accentuation in small swimming pools, whirlpools, jacuzzis and water bodies and water displays.

Technical Parameters

Power Consumption	Max. 18W	Max. 27W	Max. 36W
Qty of LEDs	12PCS	18PCS	24PCS
LED Source	CREE, ORSAM, LUMILEDS		
LED Source Luminous Efficacy	130Lm/w(2700K), 140Lm/w(3000K), 150Lm/w(4000K), 150Lm/w(5000K)		
CRI	Ra ≥ 80		
CCT/Color	2700K、3000K、4000K、6000K、RGBW		
Lumen Maintenance	50,000 hrs L70 at 25°C		
Beam Angle	30°、45°、30*50°		
Input Voltage	24V DC		
Control	On/OFF、DMX512		
Material	Aluminum & stainless steel & Clear PMMA Cover		
Size	626×50×57mm	92×50×57mm	1226×50×57mm
Weight	1.1Kg	1.6Kg	2.1Kg
Mech impact protection	IK08		
Protection	IP68		
Operating Temperature	-20°C ~ 50°C / -4°F ~ 122°F		
Storage Temperature	-30° C ~ 80°C / -22°F ~ 176°F		
Certification	FCC, CE, ROHS, CCC		

Dimensions

Unit mm



* Due to continuous improvement and innovation, specification may be changed without notice.