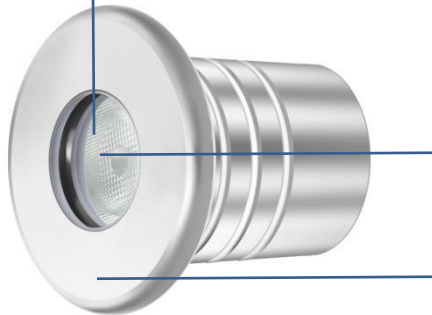


## DESCRIPTION

- Protection class IP 68
- Entirely made of stainless steel 316Ti
- Round or square attachment cover, height 3mm
- Toughened safety glass (ESG)- withstands loads of up to 650 kg
- POWER-LED cold white, warm white, neutral white, blue
- Multichip POWER-LED RGB, RGBW
- Operating mode: constant current or constant voltage
- Rotationally symmetric light distribution
- Cable pressure sleeve, stainless steel 316Ti
- Supplied with 5m of UW-cable

### Toughened safety glass

- Height 5mm
- Efficiency >85%



Lens

· Efficiency >85%

Stainless Steel 316Ti

IP 68

IK 10

STAINLESS  
STEEL V4A  
1.4571  
316Ti

3000K  
4500K  
6000K

RGBW

ON/OFF

DMX

DALI



For accentuation in small swimming pools, whirlpools and water displays.

## Technical Parameters

|                              | LX-UD-001A                                   | LX-UD-001A1 |
|------------------------------|--|-------------|
| Power Consumption            | Max. 1W                                      | Max. 2W     |
| Qty of LED                   | 1PCS   |             |
| LED Type                     | CREE、ORSAM、LUMILEDS                          |             |
| LED Source Luminous Efficacy | 140Lm/w(3000K)、150Lm/w(4000K)、150Lm/w(5000K) |             |
| CRI                          | Ra≥80  |             |
| CCT/Color                    | 3000K、4500K、6000K、RGBW                       |             |
| Lumen Maintenance            | 50,000 hrs L70 at 25°C                       |             |
| Beam Angle                   | 10°、30°                                      |             |
| Input Voltage                | 350mA、700mA、12VDC、24VDC                      |             |
| Control                      | ON/OFF、DMX512、DALI                           |             |
| Material                     | Stainless Steel 316Ti & Tempered Glass       |             |
| Size                         | φ40*H42.5mm                                  | φ40*H70mm   |
| Weight                       | 0.19kg                                       | 0.42kg      |
| Mech impact protection       | IK10   |             |
| Protection                   | IP68   |             |
| Operating Temperature        | -20°C ~ 50°C / -4°F ~ 122°F                  |             |
| Storage Temperature          | -30° C ~ 80°C / -22°F ~ 176°F                |             |
| Certification                | FCC、CE、ROHS、CCC                              |             |

## Dimensions

Unit: mm

